

# INPHENIX

## Broadband Light Source Desktop

Model Number: IPSDM1321-xxxx

### 1. Configuration

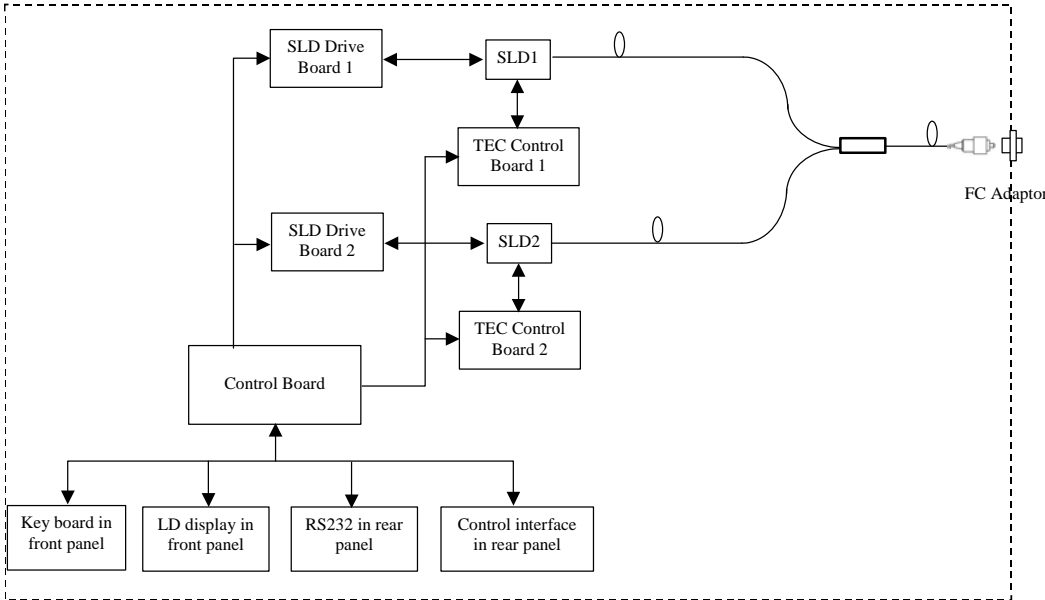


Figure 1 Configuration of IPSDM1321-xxxx SLD light source desktop

### 2. Absolute Maximum Ratings

Parameter	Min.	Max.	Unit
Power Supply Voltage	100	240	VAC
Storage Temperature	-40	+85	°C
Humidity	10	95	%

### 3. Recommended Operational Condition

Parameter	Min.	Typ.	Max.	Unit
Operating Temperature	10	25	35	°C
Operating Humidity	30	60	75	%

All information contained herein is believed to be accurate and is subject to change without notification. No responsibility is assumed. Please contact InPhenix for more information. InPhenix and the InPhenix logo are trademarks of InPhenix Inc. All rights are reserved.

# INPHENIX

## 4. Optical characteristics

Items	Specifications			Unit	Notes
	Min.	Typ.	Max.		
Center Wavelength	1300	1310	1320	nm	@25°C, CW optical power and Connectors are included.
3 dB Optical Bandwidth	100	-	-	nm	
Power Density at Spectral Peak	-15.0	-	-	dBm/0.1nm	
ASE Ripple @ 0.1nm	-	-	1.0	dB	
Spectrum Flatness	-	-	2.0	dB	
Optical Power Stability (8hr)	-	-	±0.1	dB	Stability test of Pmax after 0.5 hour warm up at 25°C.
Optical Output Type	FC Female Adapter				Fiber pigtail available
Fiber Connector	FC/APC			-	As shown in Section 6 in detail
Fiber Type	SMF/PMF			-	

## 5. Electrical characteristics

Item	Specifications			Unit	Notes
	Min.	Typ.	Max.		
Optical Power Control	Independent current control for each SLD			-	Press keyboard in the front panel manually, or via RS232 by computer.
SLD Drive Current Monitor	SLD drive current display on Screen			-	Or get data through RS232.
Keyboard lock	Lock & Key switch for front panel buttons' activation			-	A keyboard disable switch in the rear panel.
Connector for RS232	DB9 Connector, Male			-	In the rear panel
Connector for Control	DB9 Connector, Female			-	



6. Physical Dimensions and Mechanical Specifications

Size: 344mm(W)×260mm(D)×90mm(H)

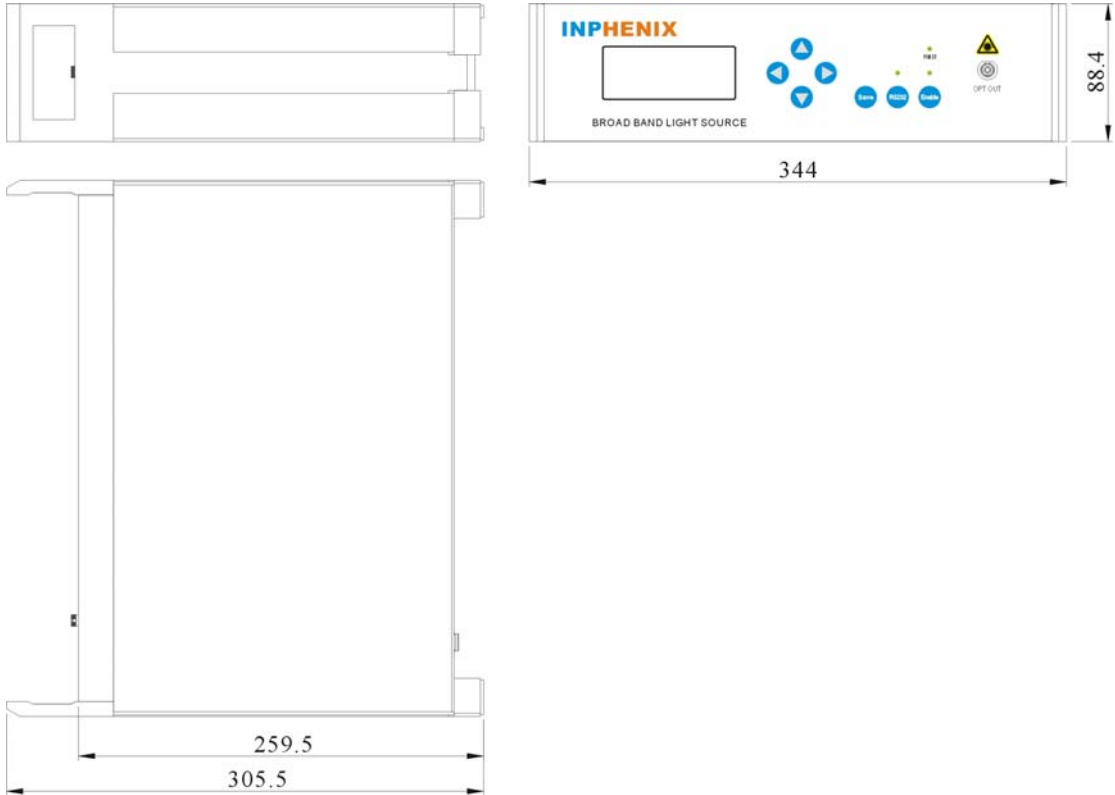
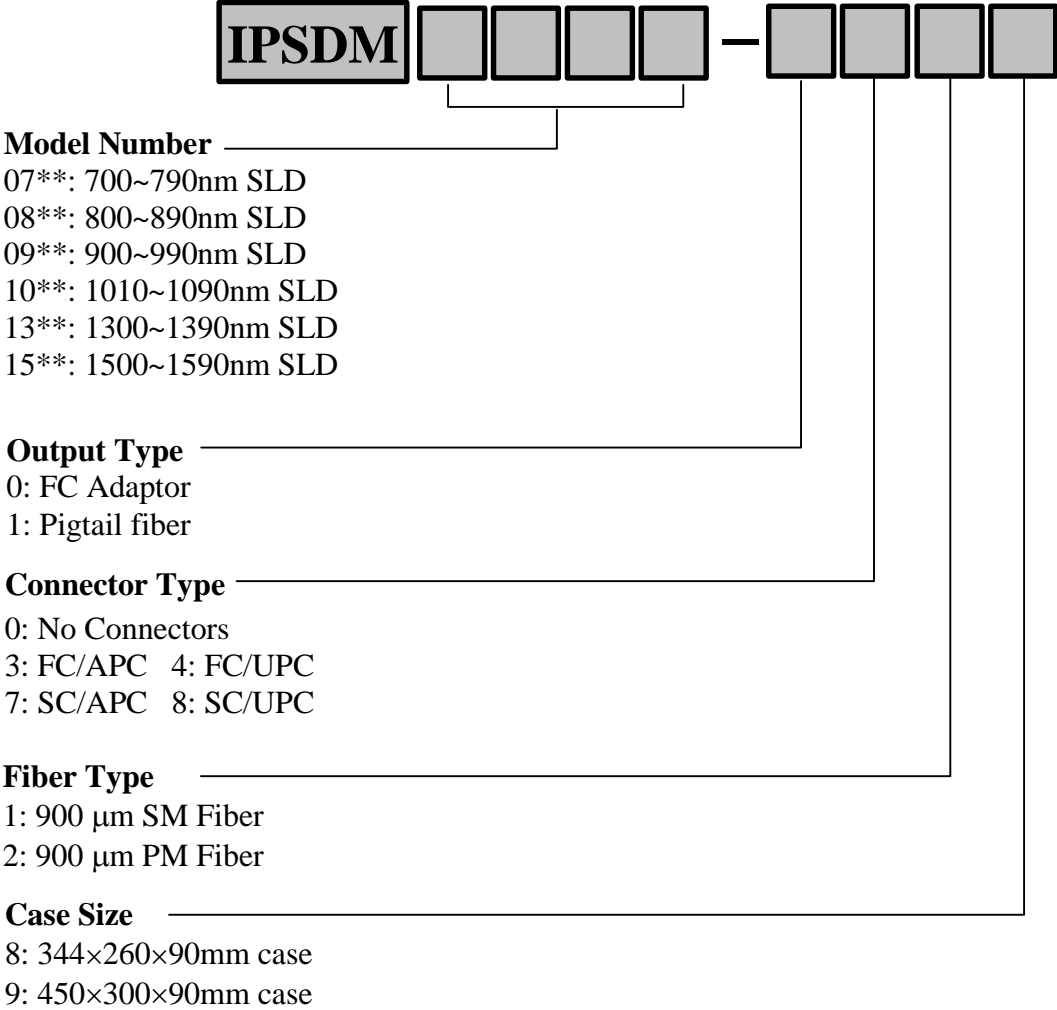


Figure 2 Mechanical drawing of IPSDM1321-0318 SLD light source desktop

# INPHENIX

## 7. Part Numbering Structure of SLD light source desktop



**Example:** IPSDM1521-0318: 1550nm-type SLD light source desktop in 344×260×90mm case with FC adaptor output, 900um SM fiber with FC/APC connector.

**Corporate Office**  
 250 North Mines Rd  
 Livermore, CA 94551  
 Tel: 925.606.8809  
 Fax: 925.606.8810  
[www.inphenix.com](http://www.inphenix.com)  
[sales@inphenix.com](mailto:sales@inphenix.com)