

INPHENIX

Reflective Semiconductor Optical Amplifier

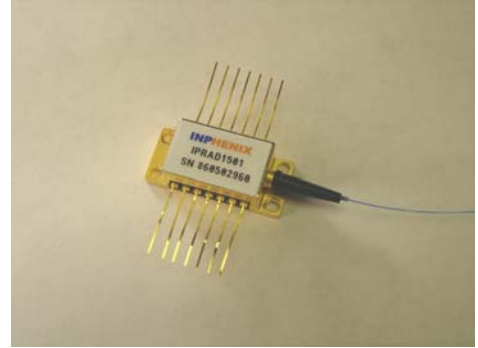
IPRAD1301 (1310nm)

Features

- 1310nm & Custom Wavelengths Available
- Wide Operating Bandwidth
- High Gain and High Output Power
- Polarization Sensitive
- Custom design available

Applications

- Gain Medium for single FBG Laser
- Gain Medium for Tunable External Cavity Laser
- WDM-PON



IPRAD1301 Reflective Semiconductor Optical Amplifier

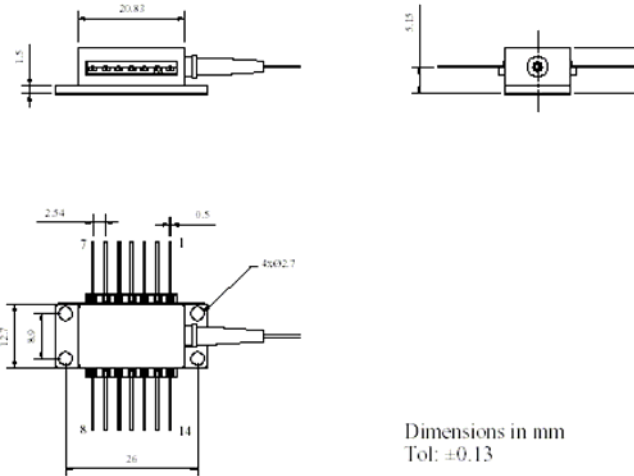
Parameter	Symbol	Specifications			Unit
		Min.	Typ.	Max.	
Drive Current	I_F	-	100	150	mA
Operating Wavelength	λ_p	1280	-	1340	nm
3dB Optical Bandwidth	$\Delta\lambda_{3dB}$	-	32	-	nm
Small Signal Gain @ -25dBm Signal	G_{max}	15	18	-	dB
Gain Ripple with Respect to λ	ΔG	-	1	2	dB
Saturation Output Power	P_{sat}	3	6	-	dBm
Noise Figure	NF	-	6	7.5	dB
Polarization Dependent Gain	PDG	10	-	-	dB

Absolute Maximum Ratings

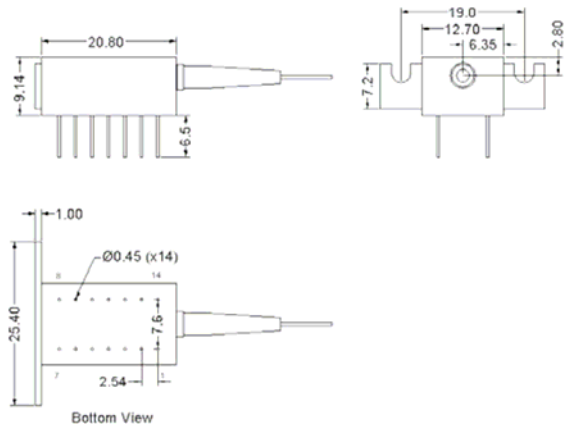
Parameter	Min.	Max.	Unit
Operating Temperature	-20	70	°C
Storage Temperature	-40	85	°C
TEC Drive Current	-	1.5	A
TEC Drive Voltage	-	3.6	V
Max. Current	200		mA
Thermistor Resistance	10k Ω @ 25°C		
SOA Chip Temperature Setting	25°C		
Fiber Type	SMF/PMF/MMF		
Fiber Jacket	250 μ m tight buffer with/without 900 μ m loose tube, or 900 μ m tight buffer		

INPHENIX

Package Dimensions



14-Pin BUT Package



14-Pin DIL Package

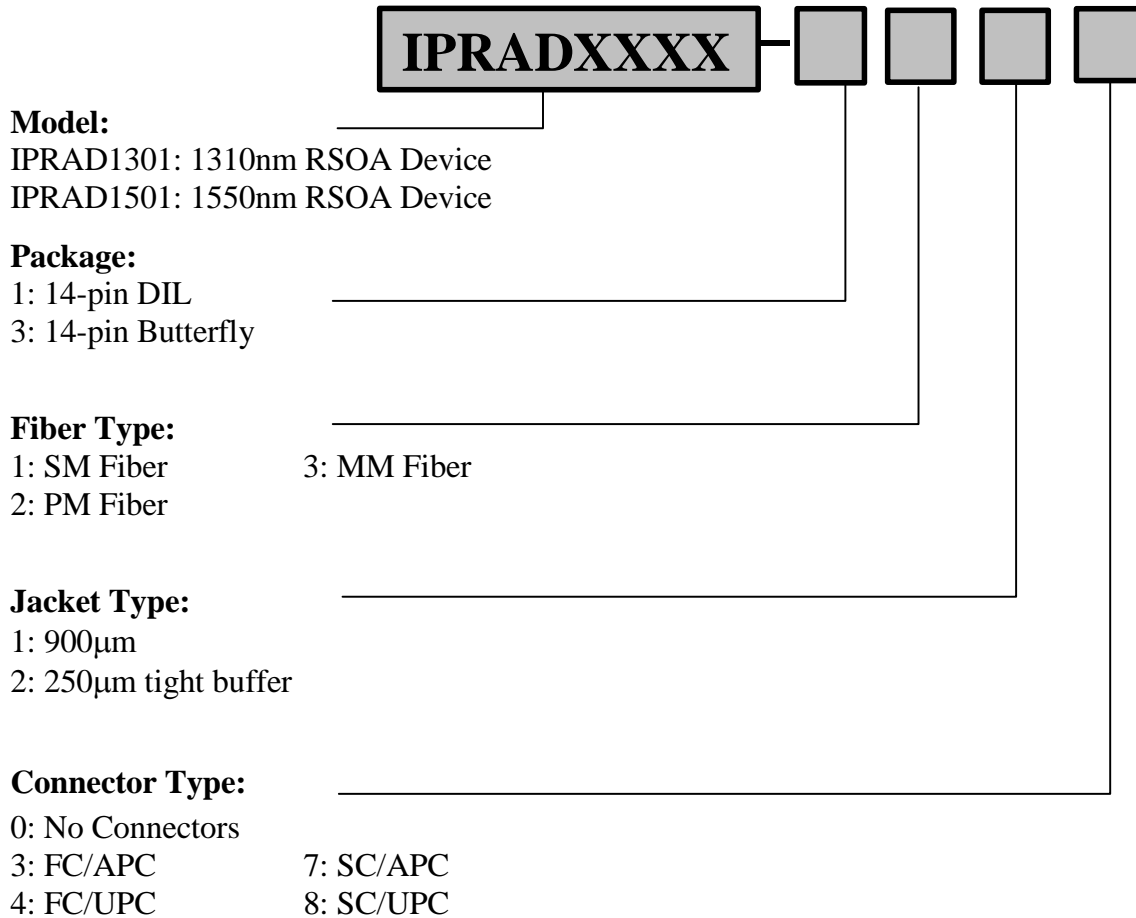
Dimensions in mm
Tol: ±0.13

Pin Definition

14-pin BUT package				14-pin DIL package			
Pin	Function	Pin	Function	Pin	Function	Pin	Function
1	TEC(+)	8	NC	1	TEC(+)	8	NC
2	Thermistor	9	NC	2	NC	9	RSOA (-)
3	NC	10	RSOA (+)	3	NC	10	Case
4	NC	11	RSOA (-)	4	NC	11	Thermistor
5	Thermistor	12	NC	5	RSOA (+)	12	Thermistor
6	NC	13	Case	6	NC	13	NC
7	NC	14	TEC(-)	7	NC	14	TEC(-)

INPHENIX

Part Numbering System



Example: IPRAD1301-1224: 1310nm RSOA in 14-pin DIL with 250 μ m tight buffered PM fiber with FC/UPC connectors

Corporate Office

250 North Mines Rd
Livermore, CA 94551
Tel: 925.606.8809
Fax: 925.606.8810
www.inphenix.com
sales@inphenix.com