

INPHENIX

Super-Luminescent Light Emitting Diode (SLD)

TO CAN Packaged Devices



Features

- High power and broad band
- Low coherence length
- Uncooled & Cooled TO package
- Monitor PD is an option

Applications

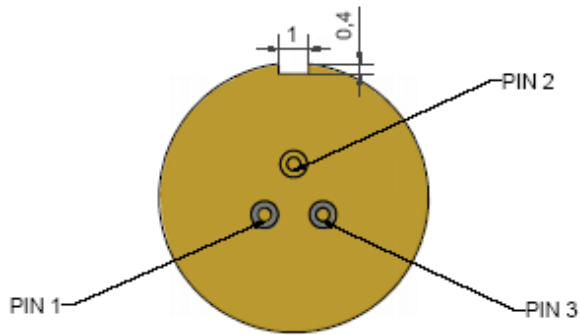
- Medical diagnostic systems
- Optical Fiber sensor systems
- Illumination

IPSDT0802 SLD TO CAN Specifications (Tcase=25°C)

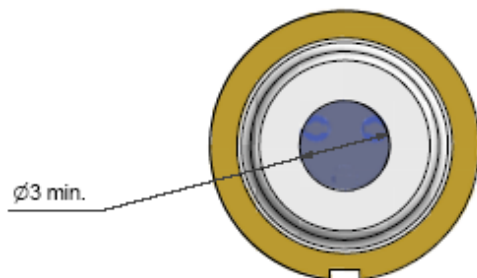
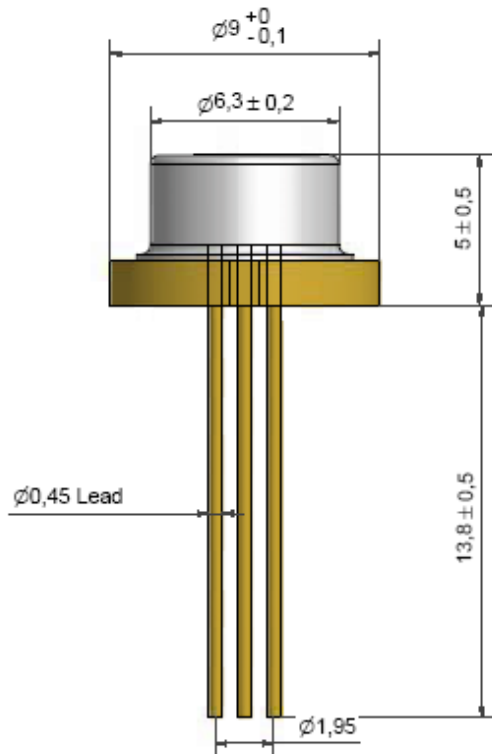
| Parameter | Min. | Typ. | Max. | Unit | Test Condition |
|--------------------|------|------|------|--------|--------------------|
| Central Wavelength | 800 | 820 | 840 | nm | |
| 3 dB Bandwidth | 10 | 15 | 22 | nm | |
| Output Power | 8 | - | - | mW | Flat Window Output |
| Operating Current | - | 140 | 150 | mA | |
| Forward Voltage | - | - | - | V | |
| Spectral Ripple | - | 0.1 | 0.5 | dB | |
| Beam Spread Angle: | - | - | - | | |
| - Parallel | - | 10 | 25 | degree | |
| - Vertical | - | 38 | 45 | degree | |

Detailed Information about operation/storage temperature available upon request: Contact sales@inphenix.com for more details

INPHENIX

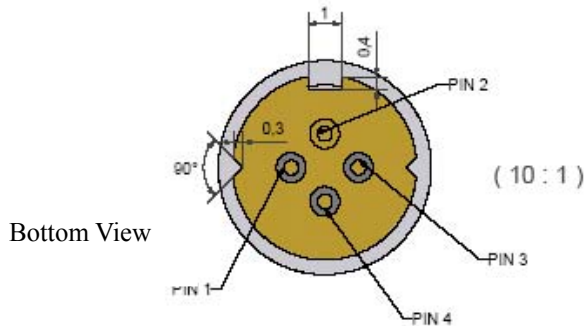


| Pin# | Connection |
|------|----------------------------------|
| 1 | SLD Anode |
| 2 | SLD Cathode, PD Cathode and Case |
| 3 | PD Anode |



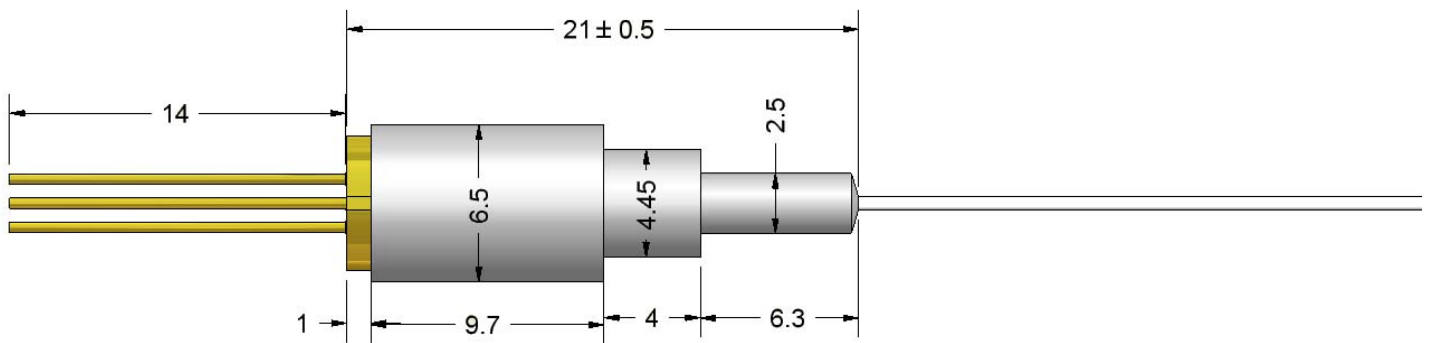
$\varnothing 9$ mm TO-CAN (TO5/TO9/TO39)

INPHENIX



| Pin# | Connection |
|------|----------------------------------|
| 1 | PD Anode |
| 2 | SLD Cathode, PD Cathode and Case |
| 3 | SLD Anode |
| 4 | |

| Pigtail Information | |
|---------------------|-------|
| Connector | TBD |
| Fiber | SMF |
| Fiber Length | 0.5 m |



Unit: mm

φ5.6 mm Pigtailed Coaxial Device (TO56 Header)

INPHENIX

Part Numbering System



Model-

- IPSDT0701: 750nm SLD TO CAN
- IPSDT080X: 820nm SLD TO CAN
- IPSDT090X: 900nm SLD TO CAN
- IPSDT13XX: 1310nm SLD TO CAN
- IPSDT150X: 1550nm SLD TO CAN

Package-

- 7: TO 56
- 8: TO 8
- 9: TO 9

Fiber Type:

- 0: No Fiber 1: Single Mode 5: Ball Lens
- 6: Flat Glass 7: Aspheric Lens

Jacket Type:

- 0: No Jacket
- 1: 900 μm
- 2: 250 μm tight buffer

Connector Type:

- 0: No Connectors
- 3: FC/APC
- 4: FC/UPC
- 7: SC/APC
- 8: SC/UPC

Back Facet Monitor:

Available upon request

Example: IPSDT0801-9700: 820nm SLD, TO9 package with Aspheric lens.

Corporate Office

250 North Mines Rd
 Livermore, CA 94551
 Tel: 925.606.8809
 Fax: 925.606.8810
www.inphenix.com
sales@inphenix.com