

# INPHENIX

## Super-Luminescent Light Emitting Diode (SLD)

### TO CAN Packaged Devices



### Features

- High power and broad band
- Low coherence length
- Uncooled & Cooled TO package
- Monitor PD is an option

### Applications

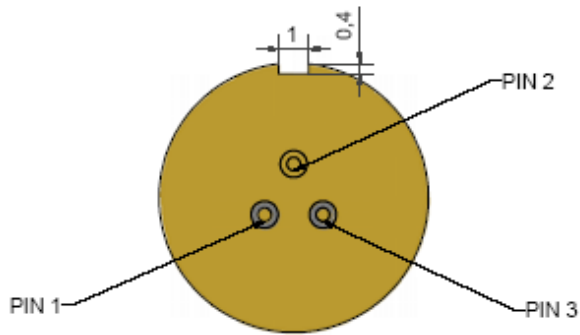
- Medical diagnostic systems
- Optical Fiber sensor systems
- Illumination

### IPSDT0804 SLD TO CAN Specifications (Tcase=25°C)

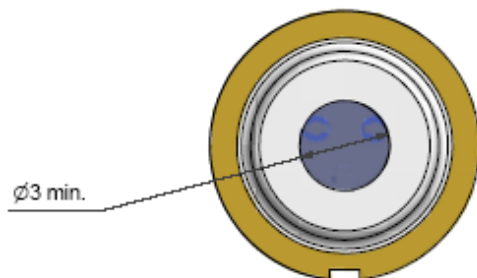
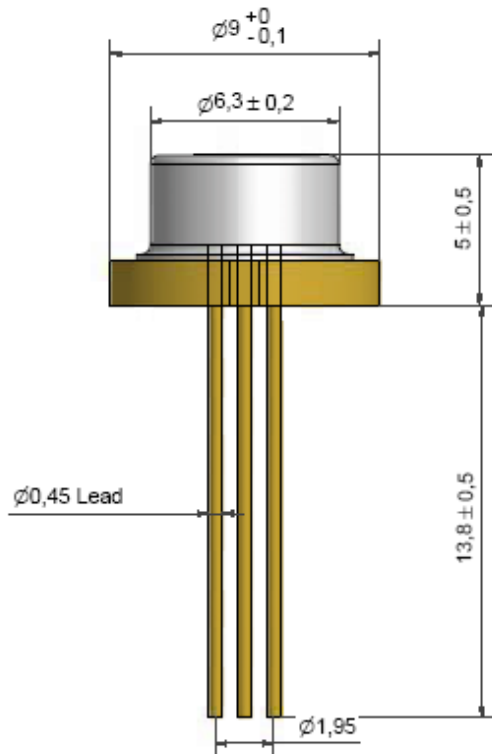
Parameter	Min.	Typ.	Max.	Unit	Test Condition
Central Wavelength	820	830	850	nm	
3 dB Bandwidth	30	32	-	nm	
Output Power	40	45	-	mW	Flat Window Output
Operating Current	-	250	400	mA	
Forward Voltage	-	-	-	V	
Spectral Ripple	-	0.1	0.5	dB	
Beam Spread Angle:	-	-	-		
- Parallel	-	10	25	degree	
- Vertical	-	38	45	degree	

**Detailed Information about operation/storage temperature available upon request:** Contact [sales@inphenix.com](mailto:sales@inphenix.com) for more details

# INPHENIX

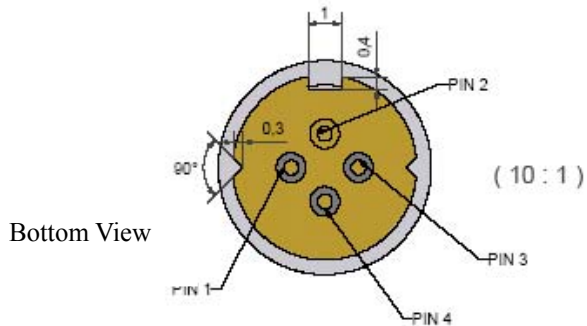


Pin#	Connection
1	SLD Anode
2	SLD Cathode, PD Cathode and Case
3	PD Anode



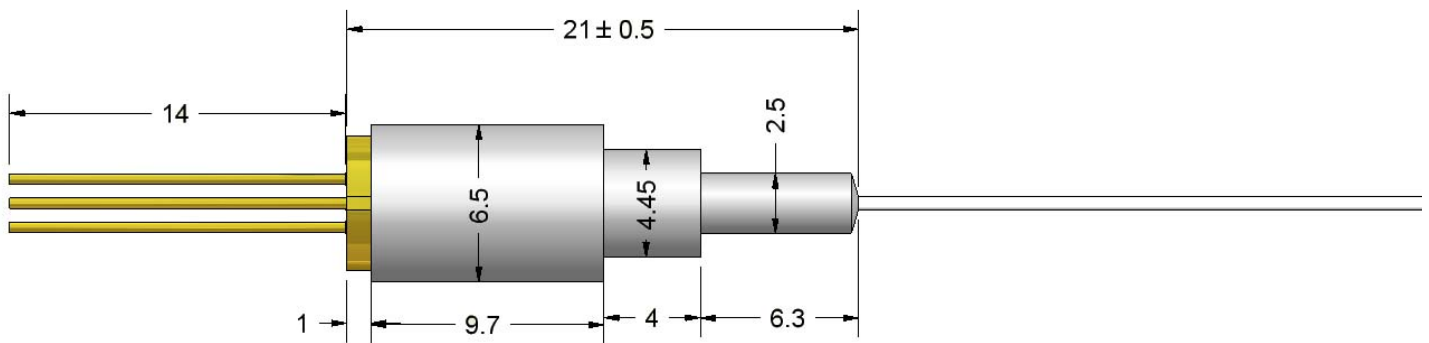
## $\varnothing 9$ mm TO-CAN (TO5/TO9/TO39)

# INPHENIX



Pin#	Connection
1	PD Anode
2	SLD Cathode, PD Cathode and Case
3	SLD Anode
4	

Pigtail Information	
Connector	TBD
Fiber	SMF
Fiber Length	0.5 m



Unit: mm

## φ5.6 mm Pigtailed Coaxial Device (TO56 Header)

# INPHENIX

## Part Numbering System



**Model-**

IPSDT0701: 750nm SLD TO CAN  
 IPSDT080X: 820nm SLD TO CAN  
 IPSDT090X: 900nm SLD TO CAN  
 IPSDT13XX: 1310nm SLD TO CAN  
 IPSDT150X: 1550nm SLD TO CAN

**Package-**

7: TO 56  
 8: TO 8  
 9: TO 9

**Fiber Type:**

0: No Fiber    1: Single Mode    5: Ball Lens  
 6: Flat Glass    7: Aspheric Lens

**Jacket Type:**

0: No Jacket  
 1: 900 µm  
 2: 250 µm tight buffer

**Connector Type:**

0: No Connectors  
 3: FC/APC  
 4: FC/UPC  
 7: SC/APC  
 8: SC/UPC

**Back Facet Monitor:**

Available upon request

**Example:** IPSDT0801-9700: 820nm SLD, TO9 package with Aspheric lens.

**Corporate Office**

250 North Mines Rd  
 Livermore, CA 94551  
 Tel: 925.606.8809  
 Fax: 925.606.8810  
[www.inphenix.com](http://www.inphenix.com)  
[sales@inphenix.com](mailto:sales@inphenix.com)