

INPHENIX

Super-Luminescent Light Emitting Diode (SLD)

TO CAN Packaged Devices



Features

- High power and broad band
- Low coherence length
- Uncooled & Cooled TO package
- Monitor PD is an option

Applications

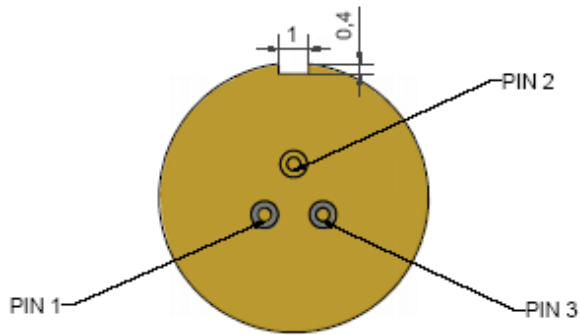
- High Voltage & Current Monitor
- Optical Fiber sensor systems
- Optical communication

IPSDT1303 SLD Pigtailed Coaxial Device Specifications (T_{case}=25°C)

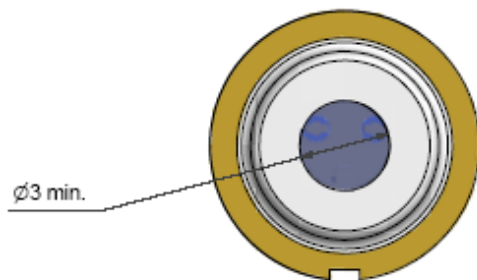
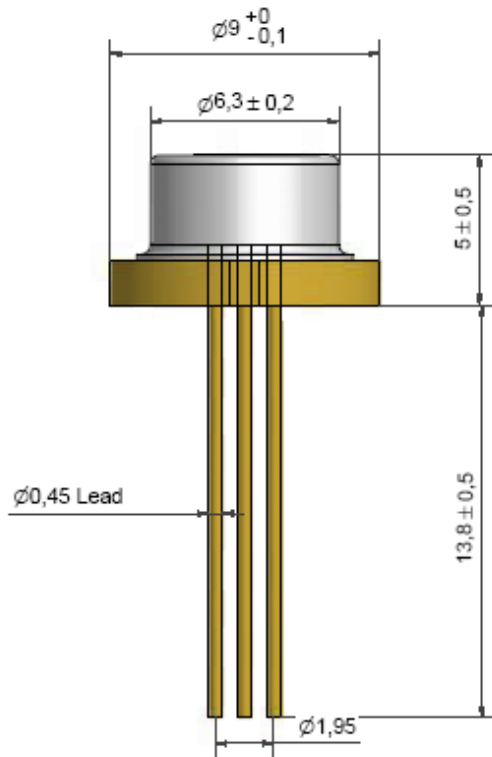
Parameter	Min.	Typ.	Max.	Unit	Test Condition
Central Wavelength	1280	1310	1340	nm	
3 dB Bandwidth	35	40	-	nm	
Output Power	0.3	0.5	-	mW	SM Fiber Output
Operating Current	-	120	160	mA	
Forward Voltage	-	2	2.2	V	
Spectral Ripple	-	0.1	0.5	dB	

Detailed Information about operation/storage temperature available upon request: Contact sales@inphenix.com for more details

INPHENIX

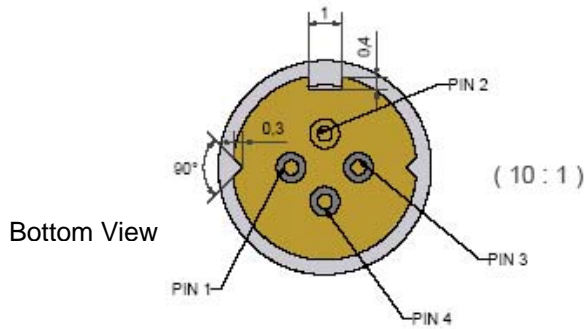


Pin#	Connection
1	SLD Anode
2	SLD Cathode, PD Cathode and Case
3	PD Anode



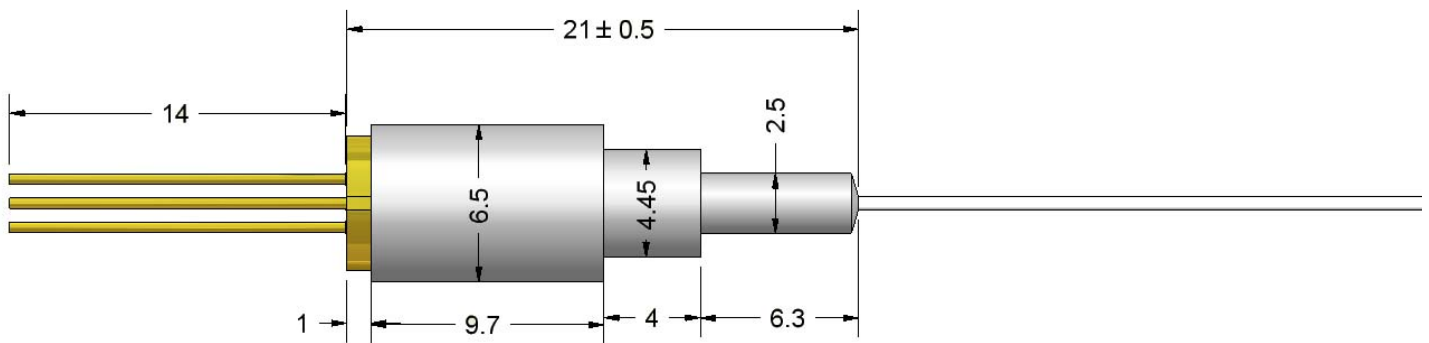
$\varnothing 9$ mm TO-CAN (TO5/TO9/TO39)

INPHENIX



Pin#	Connection
1	PD Anode
2	SLD Cathode, PD Cathode and Case
3	SLD Anode
4	

Pigtail Information	
Connector	TBD
Fiber	SMF
Fiber Length	0.5 m

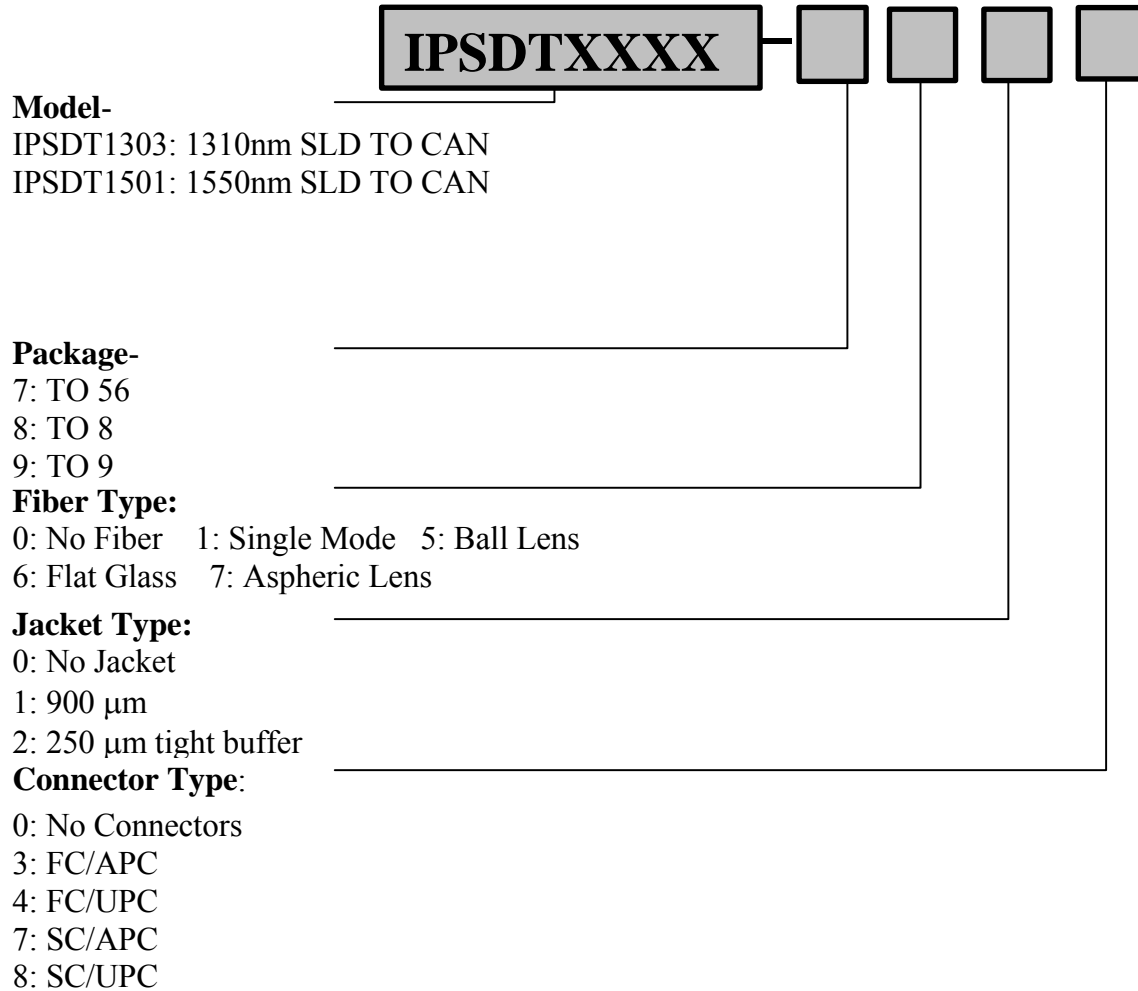


Unit: mm

φ5.6 mm Pigtailed Coaxial Device (TO56 Header)

INPHENIX

Part Numbering System



Back Facet Monitor:
Available upon request

Example: IPSTDT1303-7113: 1310nm SLD, TO 56, Single Mode Fiber, 900 μm and FC/APC Connector.

Corporate Office

250 North Mines Rd
Livermore, CA 94551
Tel: 925.606.8809
Fax: 925.606.8810
www.inphenix.com
sales@inphenix.com