

INPHENIX

Super-Luminescent Light Emitting Diode (SLD)

TO CAN Packaged Devices



Features

- High power and broad band
- Low coherence length
- Uncooled & Cooled TO package
- Monitor PD is an option

Applications

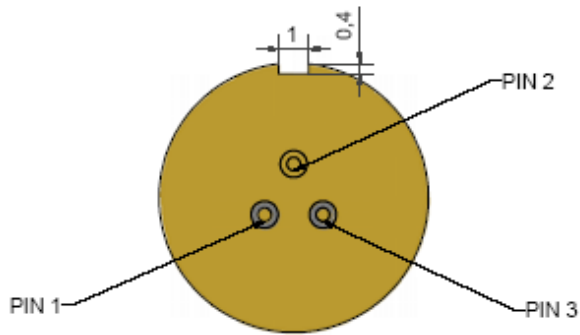
- High Voltage & Current Monitor
- Optical Fiber sensor systems
- Optical communication

IPSDT1501 SLD Pigtailed Coaxial Device Specifications (Tcase=25°C)

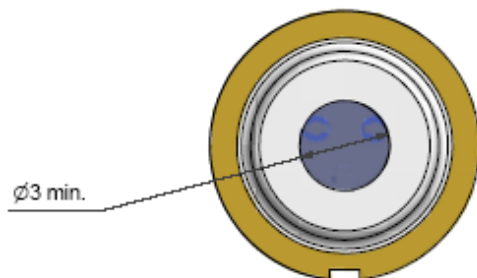
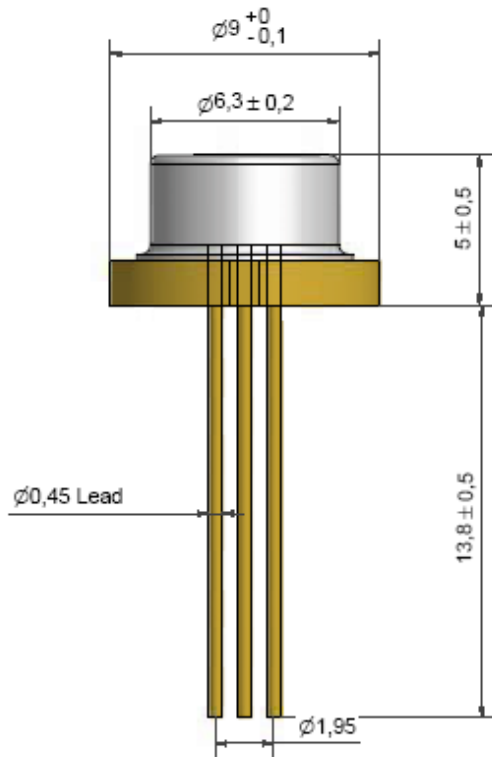
Parameter	Min.	Typ.	Max.	Unit	Test Condition
Central Wavelength	1520	1550	1570	nm	
3 dB Bandwidth	35	40	-	nm	
Output Power	0.2	-	-	mW	SM Fiber Output
Operating Current	-	120	160	mA	
Forward Voltage	-	2	2.2	V	
Spectral Ripple	-	0.15	0.5	dB	

Detailed Information about operation/storage temperature available upon request: Contact sales@inphenix.com for more details

INPHENIX

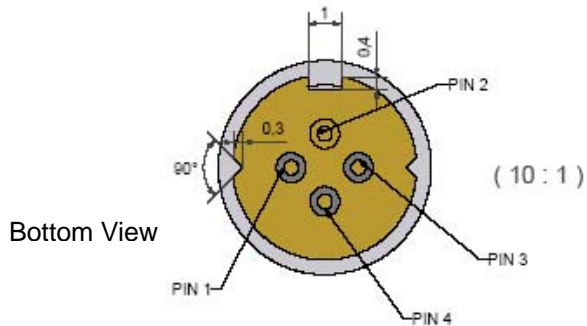


Pin#	Connection
1	SLD Anode
2	SLD Cathode, PD Cathode and Case
3	PD Anode



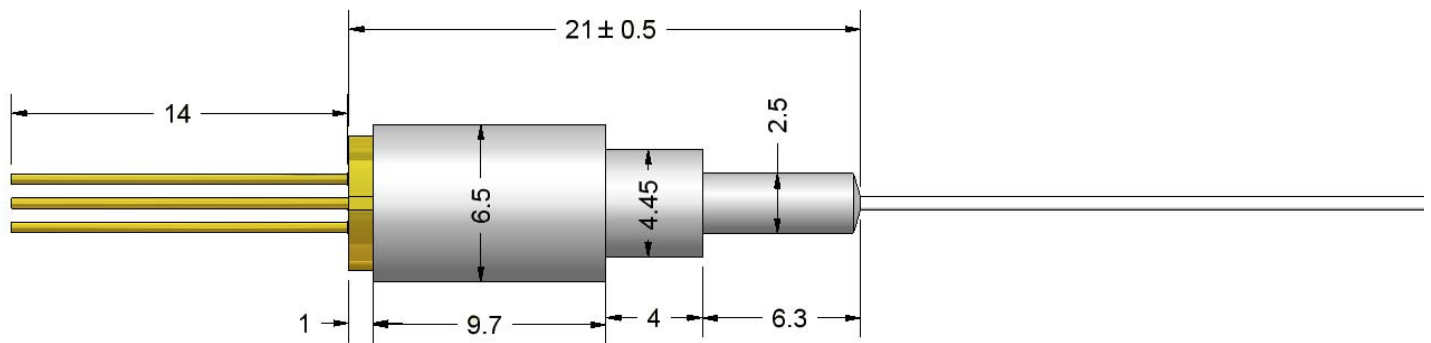
$\varnothing 9$ mm TO-CAN (TO5/TO9/TO39)

INPHENIX



Pin#	Connection
1	PD Anode
2	SLD Cathode, PD Cathode and Case
3	SLD Anode
4	

Pigtail Information	
Connector	TBD
Fiber	SMF
Fiber Length	0.5 m



Unit: mm

φ5.6 mm Pigtailed Coaxial Device (TO56 Header)

INPHENIX

Part Numbering System



Model-

IPSTDT1303: 1310nm SLD TO CAN
 IPSTDT1501: 1550nm SLD TO CAN

Package-

7: TO 56
 8: TO 8
 9: TO 9

Fiber Type:

0: No Fiber 1: Single Mode 5: Ball Lens
 6: Flat Glass 7: Aspheric Lens

Jacket Type:

0: No Jacket
 1: 900 µm
 2: 250 µm tight buffer

Connector Type:

0: No Connectors
 3: FC/APC
 4: FC/UPC
 7: SC/APC
 8: SC/UPC

Back Facet Monitor:

Available upon request

Example: IPSTDT1303-7113: 1310nm SLD, TO 56, Single Mode Fiber, 900 µm and FC/APC Connector.

Corporate Office

250 North Mines Rd
 Livermore, CA 94551
 Tel: 925.606.8809
 Fax: 925.606.8810
www.inphenix.com
sales@inphenix.com